



# PRODUCT NEWS

No. 170\_140\_001

## “NEW REPLACEMENT” VALEO ALTERNATORS FOR VOLVO

### 170-14201

28V, 60A, Ins. Grd., 28.5V Set Point

Replaces

**Valeo:** 105473, 105643, 181991, 436639, 439068, 541828, 592601, 2105643, 2541828, 2541828A, 2541828B, 2592601, A14N47M, A14N81M, A14N118M, A14N200M

**Volvo:** 845940, 873757, 873771, 873986, 1502272, 3803270, 3803496, 4803774, 8737579, 38032702



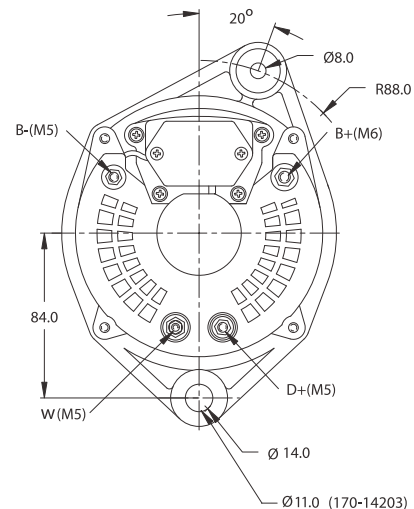
### 170-14202

28V, 60A, Ins. Grd., 27.5V Set Point

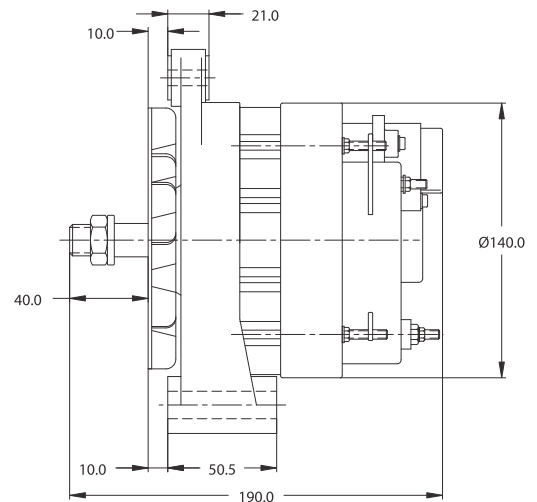
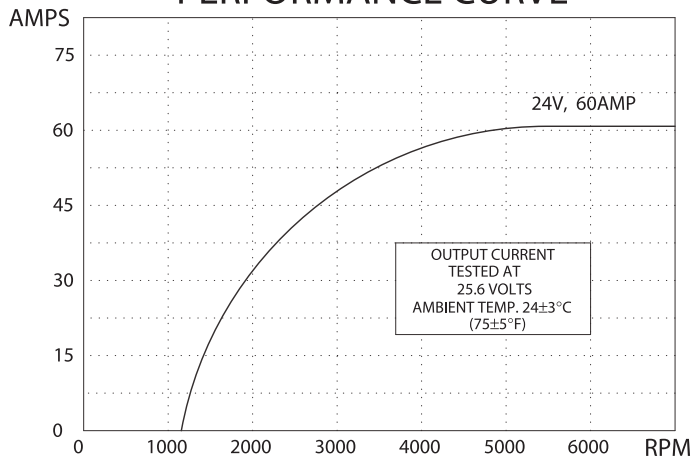
Replaces

**Valeo:** 439173, 541850, 2541850A, A14N206M

**Volvo:** 8188121, 8188122, 8188125, 8188140, 11063163-7, 9011063163-8



### PERFORMANCE CURVE



07.25.06 - REV.B: 07.16.2012 REV.C: 08.20.2012

#### CANADA & EXPORT SALES

Dixie Electric Ltd. Tel.: 905-879-0533 800-461-5799  
517 Basaltic Road Fax: 905-879-0532  
Concord, ON. E-Mail: sales@dixie-electric.com  
Canada L4K 4W8 Web Site: www.dixie-electric.com

#### U.S.A. SALES

Dixie Electric Inc.  
17100 Medina Road, Suite 100  
Minneapolis, MN.  
U.S.A. 55447-1249

Tel.: 763-475-6629 800-478-0608  
Fax: 763-475-6635 800-392-8719  
E-Mail: mn.sales@dixie-electric.com  
Web Site: www.dixie-electric.com